

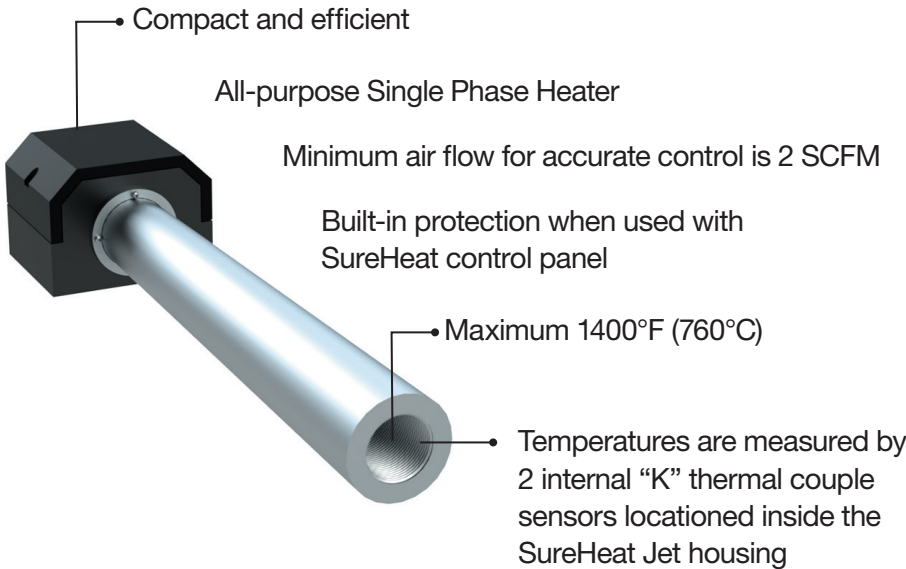
Jet Heaters



A Closed-Loop Efficient Heat Solution Temperatures up to 1400°F (760°C)

The JET provides a compact and efficient heater solution for air temperatures up to 1400°F (760°C). Available in a 3.0kW or 8.0kW, 240V 1PH unit, the Jet offers two type “K” thermocouples with a convenient terminal block for easy wiring. To ensure safety, power and perfect control, connect with the optional Jet Control Panel. Each heater has a convenient method for mounting the housing and offers a ground stud located at the inlet of the heater.

Features and Benefits



Product Specifications	
Maximum Inlet Air Pressure	60 PSI (4 BAR)
Maximum Inlet Air Temperature	200°F (93°C)
Maximum Exit Air Temperature	1400°F (760°C)
Minimum Airflow (Recommended)	2 SCFM (57 SLPM)
Exit Air Connection:	1” FNPT
Inlet Air Connection:	3/4” FNPT

Use of other sensor types and/or locations can result in heater damage



SureHeat® Jet Products

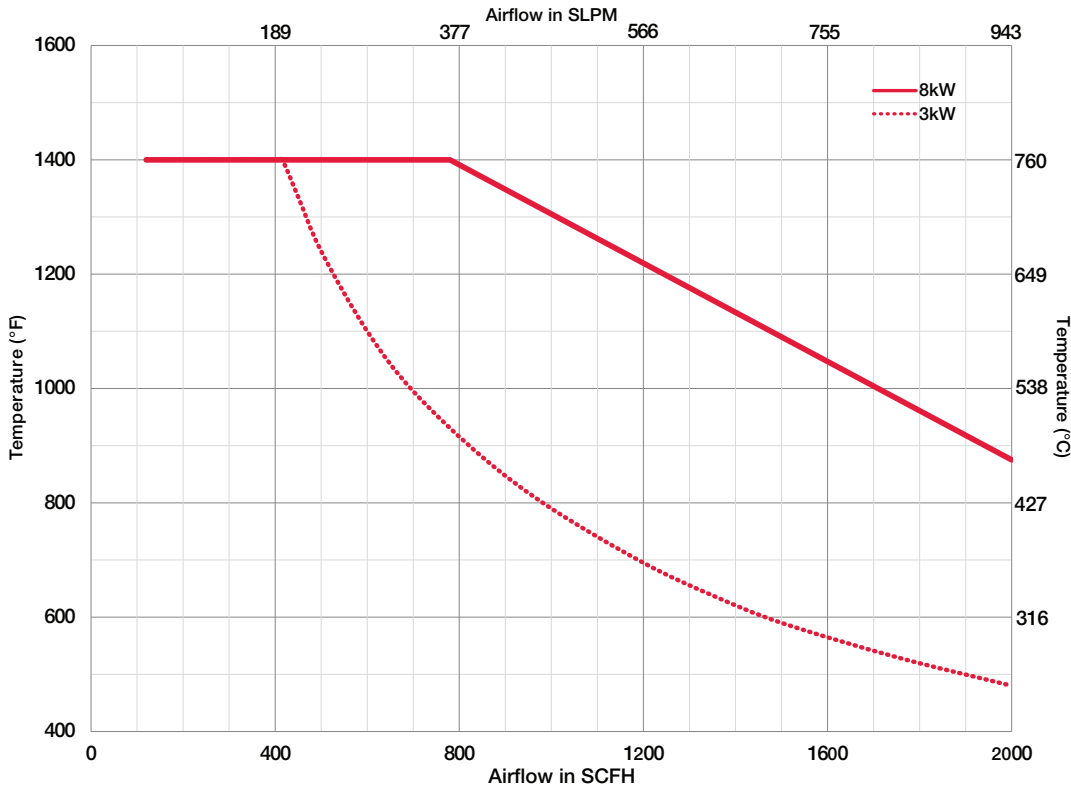
Part Number	Power kW	Max. Volts / ø	Max. Amps
F074718	3.0	240 / 1	12.5
F074719	8.0	240 / 1	33.3

Compatible Contollers

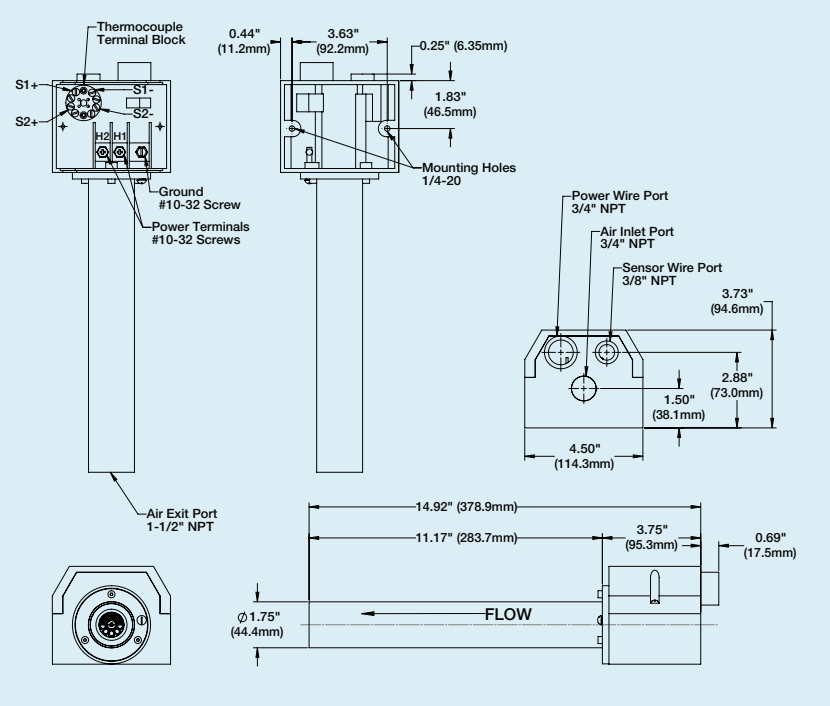
Part Number	Input Power	Phase	Amps	Labeling
F078420	240V 50/60Hz	Single Phase	40 Amp	UL 508A, CE Compliant, RoHS

Performance Curves

Jet Maximum Performance



Dimensions / Installation Reference



Notes:

- Temperatures are measured by internal "K" T/C sensors located inside the Jet Housing
- Use of other sensor types and/or locations can result in heater damage
- Minimum airflow for accurate control is 2 SCFM
- Maximum air temperature is 1400°F (760°C)
- Operating above temperature voids the product warranty