

# Max Air Heaters



## A Closed-Loop Intelligent Process Heat Solution

### Temperatures up to 1400°F (760°C)

The TUTCO SureHeat Max is a compact and efficient heater solution that is available in a 6.0kW to 36.0kW, 240V/380V/480V 1Ø / 3Ø units. The Max offers two type “K” thermocouples with a convenient terminal block for easy wiring.

To ensure safety, power and perfect control, connect with the optional Max Control Panel. Each heater has a convenient method for mounting the housing and offers a ground stud located at the inlet of the heater.



### Product Specifications

Maximum Inlet Air Pressure  
**60 PSI (4 BAR)**

Maximum Inlet Air Temperature  
**200°F (93°C)**

Maximum Exit Air Temperature  
**1200°F (650°C) for 6kW to 10kW**  
**1400°F (760°C) for 18kW to 36kW**

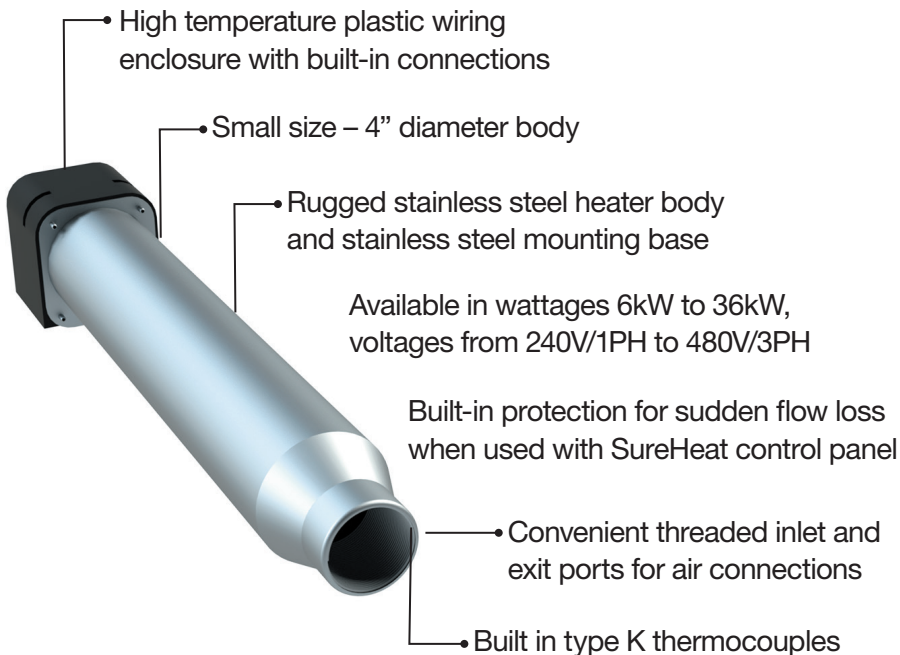
Minimum Airflow (Recommended)  
**12 SCFM (340 SLPM)**

Exit Air Connection:  
**1-1/2" FNPT**

Inlet Air Connection:  
**1-1/4" FNPT**

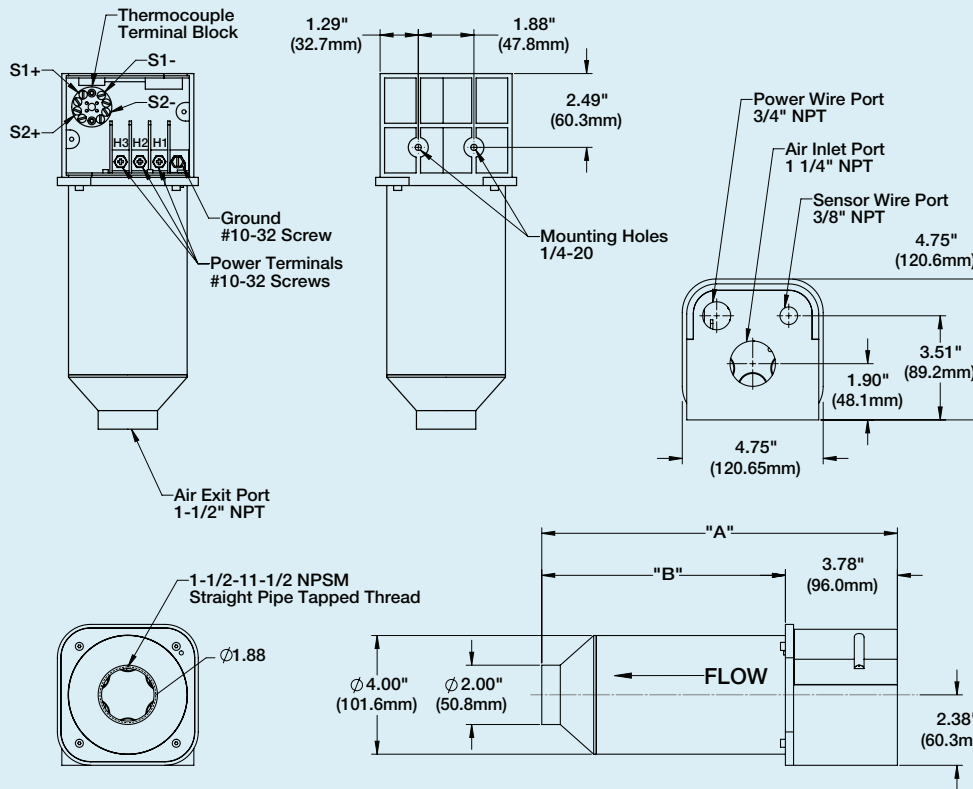


## Features and Benefits



Exposed wire low mass element for fast heatup/cool down

**Dimensions / Installation Reference**



**SureHeat® Max Products**

Part Number	Power kW	Max. Volts / $\phi$	Max. Amps	Dim "A" "(mm)	Dim "B" "(mm)
F074723	6.0	240 / 1	25	12 (304.8)	8.21 (208.53)
F074724	6.0	240 / 3	14.5	12 (304.8)	8.21 (208.53)
F074725	6.0	380 / 3	9.1	12 (304.8)	8.21 (208.53)
F074726	6.0	480 / 3	7.2	12 (304.8)	8.21 (208.53)
F074727	10.0	240 / 1	41.7	12 (304.8)	8.21 (208.53)
F074728	10.0	240 / 3	24.1	12 (304.8)	8.21 (208.53)
F074729	10.0	380 / 3	15.2	12 (304.8)	8.21 (208.53)
F074731	10.0	480 / 3	12.0	12 (304.8)	8.21 (208.53)
F074732	18.0	240 / 3	43.4	16 (406.4)	12.21 (310.2)
F074733	18.0	380 / 3	27.4	16 (406.4)	12.21 (310.2)
F074734	18.0	480 / 3	21.7	16 (406.4)	12.21 (310.2)
F074735	30.0	380 / 3	45.6	16 (406.4)	12.21 (310.2)
F074736	36.0	480 / 3	43.4	16 (406.4)	12.21 (310.2)

**Compatible Controllers**

Part Number	Input Power	Phase	Amps	Labeling
F078420	240V 50/60Hz	Single Phase	40 Amp	CE Compliant, UL 508A, CE, RoHS
F078135	240/480V 60Hz	3 Phase	30 Amps	UL 508A, RoHS
F078216	380/400V 50/60Hz	3 Phase	30 Amps	UL 508A, CE, RoHS
F078136	240/480V 60Hz	3 Phase	60 Amps	UL 508A, RoHS
F078217	380/400V 50/60Hz	3 Phase	60 Amps	UL 508A, CE, RoHS

