

# Series I, II, III Air Heaters

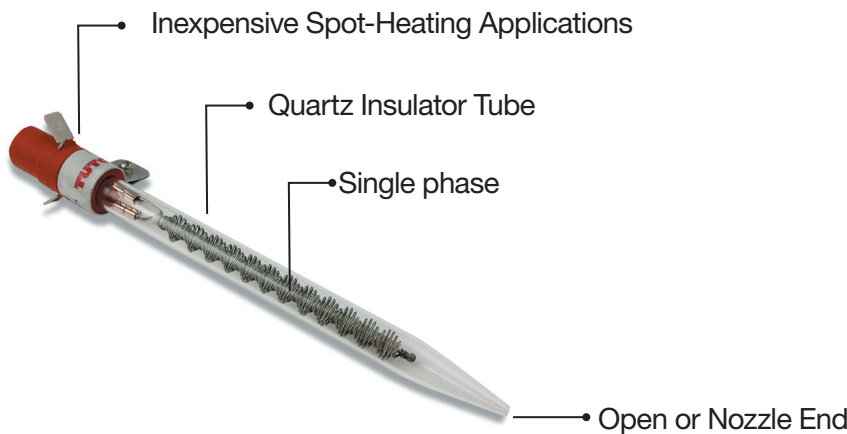
## Open Loop Heat Solutions

### Temperatures up to 1600°F (871°C)

Series heaters are general purpose compact electric air heaters using Serpentine™ wire heating elements within a Quartz open-end ( Style A ) or nozzle ( Style B ) for spot-heating applications. The Series products are typically powered by open-loop ( manual ) power controllers. The air inlet is a high-temperature silicone rubber adapter with male spade power connectors and a ground. Mounting in existing or new equipment is made easy by the included bracket.



## Features and Benefits



### Product Specifications

Maximum Temperature  
**1400°F (760° C) Series I, II**  
**1600° F (871° C) Series III**

Max Pressure  
**7 psi (0.5 bar)**

Controller  
**Manual Voltage Controller**

Tube Material  
**Clear Quartz**



#### Series I

- Small diameter
- Long Quartz tube
- Max. 1400°F
- Up to 300 SCFH @ 1000°F

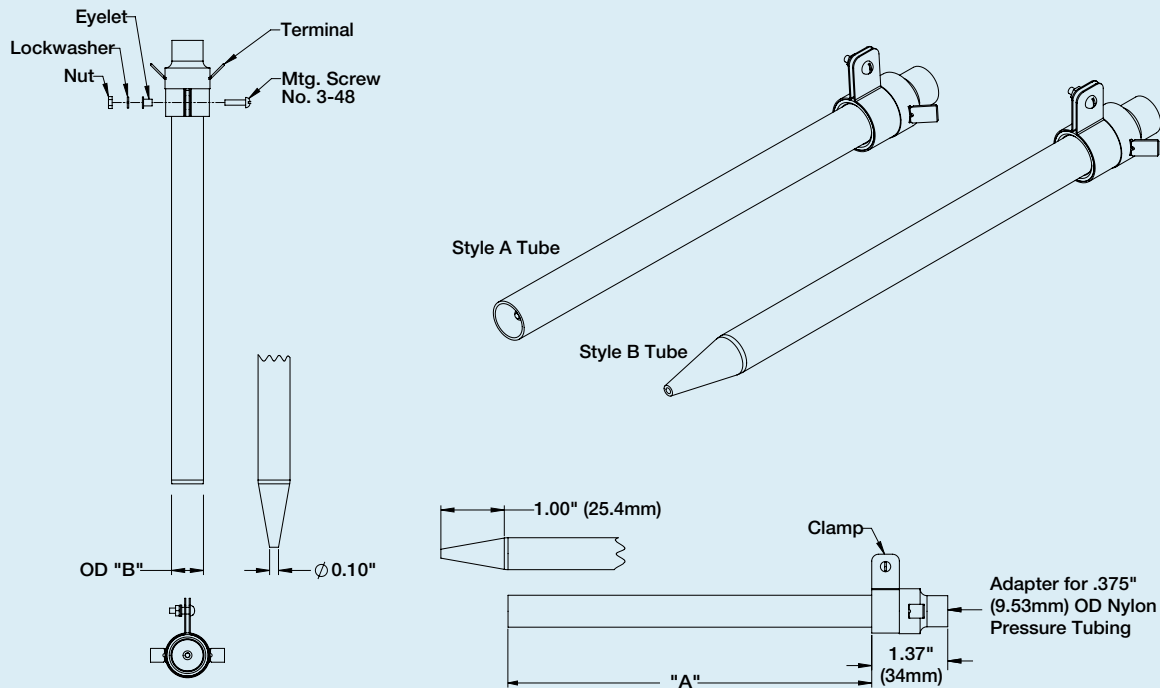
#### Series II

- Same diameter as Series I
- Smaller Quartz tube length
- Nominal line voltages
- 60V at Max. 1200°F
- 300 SCFH @ 1000°F

#### Series III

- Larger diameter
- Temperatures to 1600°F
- Delivers up to 600 SCFH @ 825°F

**Dimensions / Installation Reference**



**SureHeat® Series I**

Part Number	Style	Max. Watt	Max. Volts	Max. Amps	Length "A"	Diameter "B"
F010226	A	1050W	180V	5.83A	6.88" (175mm)	.41" (10mm)
F014372	A	1000W	130V	7.69A	7.75" (197mm)	.41" (10mm)
F014682	B	680W	145V	4.69A	7.88" (200mm)	.41" (10mm)
F014683	B	650W	105V	6.19A	8.75" (222mm)	.41" (10mm)

**SureHeat® Series II**

Part Number	Style	Max. Watt	Max. Volts	Max. Amps	Length "A"	Diameter "B"
F016501	A	1125W	130V	8.65A	3.88" (98mm)	.41" (10mm)
F016503	A	850W	80V	10.62A	3.88" (98mm)	.41" (10mm)
F016502	B	600W	95V	6.32A	4.88" (124mm)	.41" (10mm)
F016504	B	650W	70V	9.29A	4.88" (124mm)	.41" (10mm)

**SureHeat® Series III**

Part Number	Style	Max. Watt	Max. Volts	Max. Amps	Length "A"	Diameter "B"
F017558	A	2050W	160V	12.81A	6.88" (175mm)	.59" (15mm)
F017575	B	1450W	135V	10.74A	7.88" (200mm)	.59" (15mm)

**Stainless Steel Outer Shields-Style "A" Open Ended**

Part Number	
F015509	Series I P/N F014372
F057083	Series I P/N F010226
F017853	Series II P/N F016501, F016503